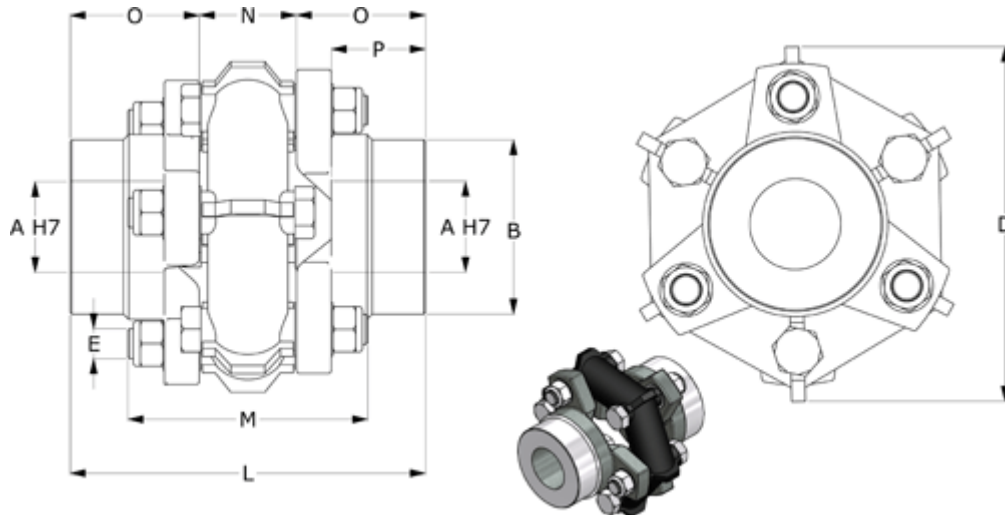


Article number: 3213347

Description: Ortlinghaus Coupling size 47

## Measures



A max H7	= 70	M	= 158	Tightening torque N m	= 330
Axial displacement mm	= +/-4	Moment of inertia kg/m <sup>2</sup>	= 0.03375	Weight	= 14.5
B	= 115	N	= 62		
Bending angle	= +/-2,8	O	= 86		
C	= 170	P	= 71		
D	= 234	Radial displacement	= +/-0,8		
E	= M20	Standard running NM	= 550		
L	= 234	Stress load Nm	= 1380		